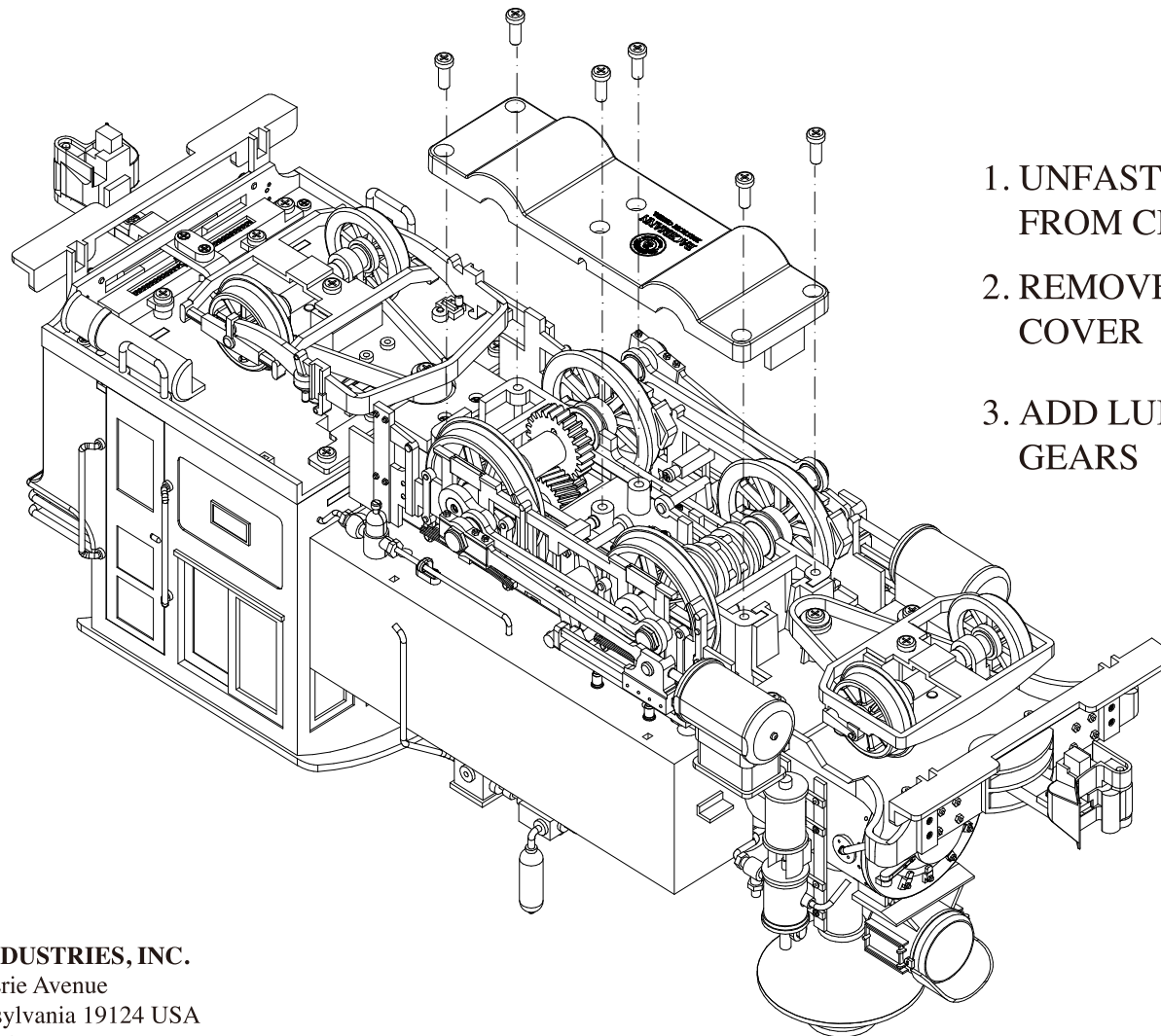


Remove cover to lubricate the gears and bearings



1. UNFASTEN 6 SCREWS FROM CHASSIS COVER
2. REMOVE THE CHASSIS COVER
3. ADD LUBRICANT TO THE GEARS



BACHMANN INDUSTRIES, INC.
1400 East Erie Avenue
Philadelphia, Pennsylvania 19124 USA
800-356-3910
www.bachmanntrains.com
Printed in China